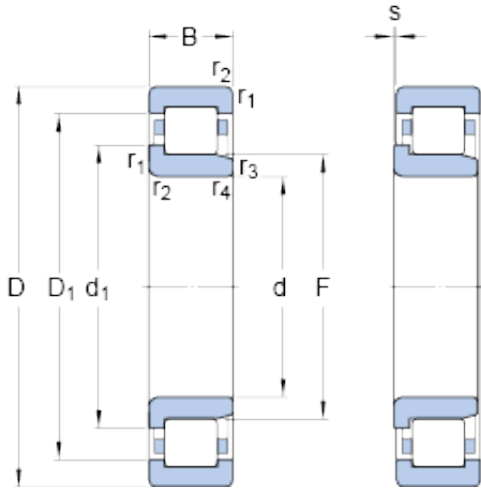




Bearing de Mexico, S.A.



15 mm x 35 mm x 11 mm SKF NJ 202 ECP thrust ball bearings

Bearing No. NJ 202 ECP

Size	35x15x11 mm
Bore Diameter	35 mm
Outer Diameter	15 mm
Width	11 mm
d	15 mm
D	35 mm
B	11 mm
d ₁	21.9 mm
D ₁	27.7 mm
F	19.3 mm
r _{1,2} - min.	0.6 mm
r _{3,4} - min.	0.6 mm
s	1 mm
d _a - min.	18.2 mm
d _a - max.	18.4 mm
d _b - min.	23 mm
D _a - max.	31.3 mm
r _a - max.	0.6 mm
Basic dynamic load rating - C	12.5 kN
Basic static load rating - C ₀	10.2 kN
Fatigue load limit - P _u	1.2 kN
Reference speed	22000 r/min
Limiting speed	26000 r/min
Calculation factor - k _r	0.15

NJ 202 ECP Bearing 2D drawings and 3D CAD models



Bearing de Mexico, S.A.

Category	Cylindrical Roller Bearings
Inventory	0.0
Manufacturer Name	SKF
Minimum Buy Quantity	N/A
Weight / Kilogram	0.051
EAN	7316577061775
Product Group	B04144
Bore Profile	Straight
Cage Material	Polymer
Precision Class	RBEC 1 ISO P0
Number of Rows of Rollers	Single Row
Separable	Inner Ring - One Side
Rolling Element	Cylindrical Roller Bearing
Profile	Complete with Outer and Inner Ring
Snap Ring	No
Internal Clearance	C0-Medium
Retainer	Yes
Relubricatable	Yes
Inch - Metric	Metric
Other Features	High Capacity 1 Rib Inner Ring 2 Rib Outer Ring Cage on Outer Ring ID
Long Description	15MM Bore; Straight Bore Profile; 35MM Outside Diameter; 11MM Width; Polymer Cage Material; RBEC 1 ISO P0; Single Row; Inner Ring - One Side Separable; No Snap Ring; Relubricatable; C0-Medium Inter
Category	Cylindrical Roller Bearing
UNSPSC	31171547
Harmonized Tariff Code	8482.50.00.00
Noun	Bearing



Bearing de Mexico, S.A.

Manufacturer URL	http://www.skf.com
Manufacturer Item Number	NJ 202 ECP
Weight / LBS	0.113
Bore	0.591 Inch 15 Millimeter
Outside Diameter	1.378 Inch 35 Millimeter
Width	0.433 Inch 11 Millimeter
bore diameter:	15 mm
static load capacity:	10.2 kN
outside diameter:	35 mm
precision rating:	RBEC 1 (ISO Class Normal)
overall width:	11 mm
maximum rpm:	26000 RPM
flanges:	(2) Outer Ring, (1) Inner Ring
cage material:	Polyamide
bore type:	Straight
finish/coating:	Uncoated
number of rows:	1
closure type:	Open
internal clearance:	C0
application:	Piston Type Machines, Rolling Mills, Spindles/Machine Tools
ring separation:	Separable Ring
outer ring width:	11 mm
operating temperature range:	Maximum of +300 ° F
fillet radius:	0.6 mm
dynamic load capacity:	12.5 kN
series:	NJ2
d ₁	21.9 mm
D ₁	27.7 mm
r _{1,2} min.	0.6 mm



Bearing de Mexico, S.A.

$r_{3,4}$ min.	0.3 mm
s max.	1 mm
d_a min.	18.2 mm
d_a max.	18.4 mm
d_b min.	23 mm
D_a max.	31.3 mm
r_a max.	0.6 mm
Basic dynamic load rating C	12.5 kN
Basic static load rating C_0	10.2 kN
Fatigue load limit P_u	1.22 kN
Calculation factor k_r	0.15
Limiting value e	0.2
Axial load factor Y	0.6
Mass bearing	0.048 kg