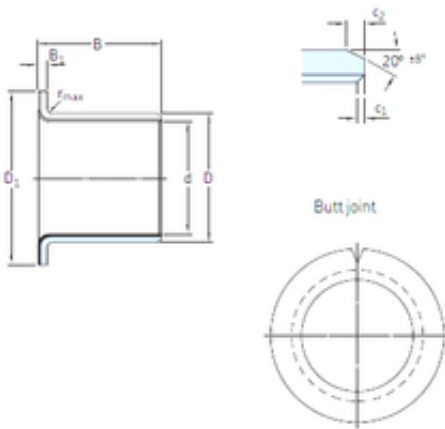




Bearing de Mexico, S.A.

35 mm x 39 mm x 16 mm SKF PCMF 353916 E
plain bearings



Bearing No. PCMF 353916 E

Size	35x39x16 mm
Bore Diameter	35 mm
Outer Diameter	39 mm
Width	16 mm
d	35 mm
D	39 mm
B	16 mm
c1 min	0,1 mm
c2 min	0,8 mm
r max	2 mm
B1	2 mm
D1	47 mm
Weight	0,043 Kg
Dynamic load rating radial (C)	35,5 kN
Dynamic load rating axial (C)	33,5 kN
Static load rating radial (C0)	110 kN
Category	Plain Bearings
Inventory	0.0
Manufacturer Name	SKF
Minimum Buy Quantity	N/A
Weight / Kilogram	0.903
EAN	7316572038055
Product Group	B04264
D ₁	47 mm

PCMF 353916 E Bearing 2D drawings and 3D CAD models



Bearing de Mexico, S.A.

B_1	2 mm
c_1 min.	0.1 mm
c_1 max.	0.7 mm
c_2 min.	0.8 mm
c_2 max.	1.6 mm
± 8	20 °
r max.	2 mm
Tolerance shaft	f7
Tolerance housing	H7
Basic dynamic load rating - radial direction C	35.5 kN
Basic static load rating - radial direction C_0	110 kN
Basic dynamic load rating - axial direction C_a	33.5 kN
Basic static load rating - axial direction C_{0a}	104 kN
Specific dynamic load factor K	80 N/mm ²
Specific static load factor K_0	250 N/mm ²
Factor depending on material and bearing type K_M	480
Permissible sliding velocity v min.	0 m/s
Permissible sliding velocity v max.	2 m/s
Coefficient of friction μ min.	0.03
Coefficient of friction μ max.	0.25
Mass bushing	0.035 kg