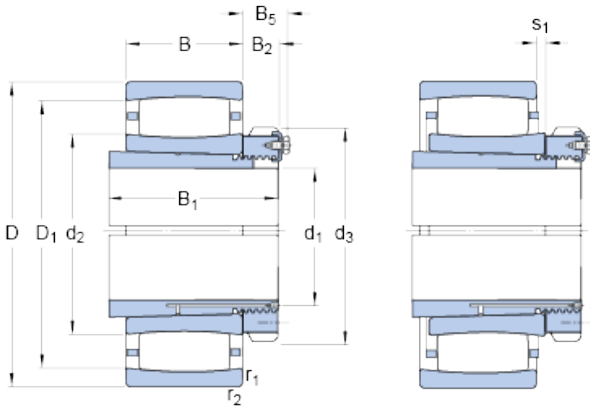




Bearing de Mexico, S.A.



SKF C 39/500 KM + OH 39/500 HE cylindrical roller bearings

Bearing No. C 39/500 KM + OH 39/500 HE

C 39/500 KM + OH 39/500 HE Bearing 2D drawings and 3D CAD models

Size	670x470x208 mm
Bore Diameter	670 mm
Outer Diameter	470 mm
Width	208 mm
d_1	470 mm
D	670 mm
B_1	208 mm
d_2	555 mm
d_3	580 mm
D_1	632 mm
B	128 mm
B_2	68 mm
B_5	85 mm
s_1	20.4 mm
$r_{1,2}$ - min.	5 mm
d_a - max.	580 mm
d_b - min.	516 mm
D_a - min.	614 mm
D_a - max.	652 mm
B_a - min.	18 mm
C_a - min.	2 mm
r_a - max.	4 mm
Basic dynamic load rating - C	3150 kN



Bearing de Mexico, S.A.

Basic static load rating - C_0	6300 kN
Fatigue load limit - P_u	430 kN
Reference speed	700 r/min
Limiting speed	950 r/min
Factor - k_1	0.135
Factor - k_2	0.095
d_1	470 mm
B_1	208 mm
d_2	555 mm
d_3	580 mm
D_1	632 mm
B_2	68 mm
B_5	85 mm
s_1 max.	20.4 mm
$r_{1,2}$ min.	5 mm
d_a max.	580 mm
d_b min.	516 mm
D_a min.	614 mm
D_a max.	652 mm
B_a min.	18 mm
C_a min.	2 mm
r_a max.	4 mm
Basic dynamic load rating C	3150 kN
Basic static load rating C_0	6300 kN
Fatigue load limit P_u	430 kN
Misalignment factor k_1	0.135
Operating clearance factor k_2	0.095
Mass bearing + sleeve	195 kg