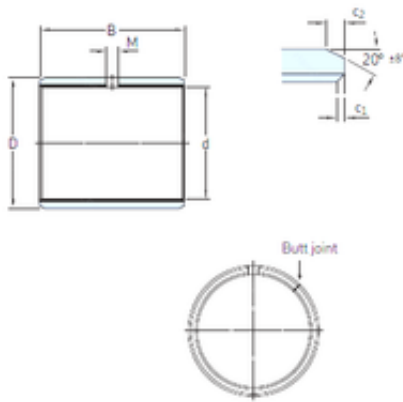




## Bearing de Mexico, S.A.

44,45 mm x 49,213 mm x 25,4 mm SKF PCZ  
2816 M plain bearings



Bearing No. PCZ 2816 M

Size	44.45x49.213x25.4 mm
Bore Diameter	44,45 mm
Outer Diameter	49,213 mm
Width	25,4 mm
d	44,45 mm
D	49,213 mm
B	25,4 mm
c1 min	0,2 mm
c2 min	1,2 mm
M	5 mm
Weight	0,061 Kg
Basic dynamic load rating (C)	132 kN
c <sub>1</sub> min.	0.2 mm
c <sub>1</sub> max.	1 mm
c <sub>2</sub> min.	1.2 mm
c <sub>2</sub> max.	2.4 mm
± 8	20 °
Shaft diameter range min.	44.112 mm
Shaft diameter range max.	44.153 mm
Housing bore range min.	49.212 mm
Housing bore range max.	49.238 mm
Basic dynamic load rating - radial direction C	132 kN
Basic static load rating - radial direction C <sub>0</sub>	275 kN

PCZ 2816 M Bearing 2D drawings and 3D CAD models



## Bearing de Mexico, S.A.

Specific dynamic load factor K	120 N/mm <sup>2</sup>
Specific static load factor K <sub>0</sub>	250 N/mm <sup>2</sup>
Factor depending on material and bearing type K <sub>M</sub>	1900
Permissible sliding velocity v min.	0 m/s
Permissible sliding velocity v max.	2.5 m/s
Coefficient of friction μ min.	0.02
Coefficient of friction μ max.	0.2
Mass bushing	0.061 kg