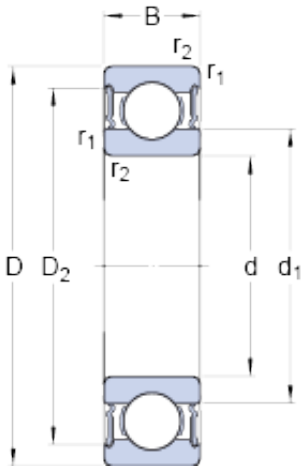




Bearing de Mexico, S.A.



35 mm x 72 mm x 17 mm SKF W
6207-2RS1/VP311 deep groove ball bearings

Bearing No. W 6207-2RS1/VP311

W 6207-2RS1/VP311 Bearing 2D drawings and 3D CAD models

Size	72x35x17 mm
Bore Diameter	72 mm
Outer Diameter	35 mm
Width	17 mm
d	35 mm
D	72 mm
B	17 mm
d ₁	47.6 mm
D ₂	64.83 mm
r _{1,2} - min.	1.1 mm
d _a - min.	41.5 mm
d _a - max.	47.5 mm
D _a - max.	65.5 mm
r _a - max.	1 mm
Basic dynamic load rating - C	22.1 kN
Basic static load rating - C ₀	15.3 kN
Fatigue load limit - P _u	0.655 kN
Limiting speed	6000 r/min
Calculation factor - k _r	0.03
Calculation factor - f ₀	13.9
Category	Bearings
Inventory	0.0
Manufacturer Name	SKF
Minimum Buy Quantity	N/A



Bearing de Mexico, S.A.

Weight / Kilogram	0.03
Product Group	B00308
d_1	47.6 mm
D_2	64.83 mm
$r_{1,2}$ min.	1.1 mm
d_a min.	41.5 mm
d_a max.	46.5 mm
D_a max.	65.5 mm
r_a max.	1 mm
Basic dynamic load rating C	22.1 kN
Basic static load rating C_0	15.3 kN
Fatigue load limit P_u	0.655 kN
Calculation factor k_f	0.03
Calculation factor f_0	13.9
Mass bearing	0.28 kg