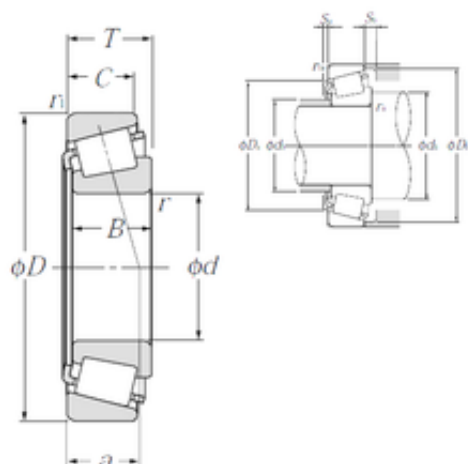




## Bearing de Mexico, S.A.



### 45 mm x 100 mm x 36 mm NTN 32309U tapered roller bearings

Bearing No. 32309U

32309U Bearing 2D drawings and 3D CAD models

Size	45x100x38.25 mm
Bore Diameter	45 mm
Outer Diameter	100 mm
Width	38,25 mm
d	45 mm
D	100 mm
T	38,25 mm
B	36 mm
C	30 mm
ra1 max.	1,5 mm
a	25,5 mm
r min.	2 mm
r1 min.	1,5 mm
da min.	55 mm
Da min	82 mm
Da max.	91,5 mm
db max.	56 mm
Db min.	93 mm
ra max.	2 mm
Sa	3 mm
Sb	8 mm
Weight	1,46 Kg
Basic dynamic load rating (C)	154 kN
Basic static load rating (C0)	191 kN
(Grease) Lubrication Speed	4 000 r/min



## Bearing de Mexico, S.A.

(Oil) Lubrication Speed	5 300 r/min
Calculation factor (e)	0,35
Calculation factor (Y0)	0,96
d1	71.5 mm
rs min	2 mm
r1s min	1.5 mm
e	0.35
Y2	1.74
Y0	0.96
Mass	1.46 kg
ISO 355 reference	T2FD045
Dynamic load, C	154 kN
Rating life coefficient, A2	1
Static load, C0	191 kN
Fatigue limit load, Cu	23.3 kN
Nlim (oil)	5,300 rpm
Nlim (grease)	4,000 rpm
Min operating temperature, Tmin	-40 ° C
Max operating temperature, Tmax	120 ° C
Characteristic cage frequency, FTF	0.41 Hz
Characteristic rolling element frequency, BSF	5.28 Hz
Characteristic outer ring frequency, BPF0	6.57 Hz
Characteristic inner ring frequency, BRFI	9.43 Hz
da max	56 mm
db min	55 mm
Da max	91.5 mm
Db min	93 mm
Ca min	3 mm



## Bearing de Mexico, S.A.

Cb min	8 mm
ra max	2 mm
r1a max	1.5 mm
Category	Bearings
Inventory	0.0
Manufacturer Name	NTN
Minimum Buy Quantity	N/A
Weight / Kilogram	0
EAN	4547359003079
Product Group	B04334