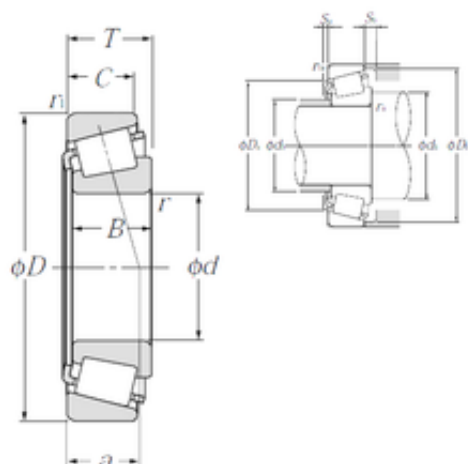




Bearing de Mexico, S.A.



95 mm x 145 mm x 32 mm NTN 32019XU tapered roller bearings

Bearing No. 32019XU

32019XU Bearing 2D drawings and 3D CAD models

Size	95x145x32 mm
Bore Diameter	95 mm
Outer Diameter	145 mm
Width	32 mm
d	95 mm
D	145 mm
T	32 mm
B	32 mm
C	24 mm
ra1 max.	1,5 mm
a	31,5 mm
r min.	2 mm
r1 min.	1,5 mm
da min.	105 mm
Da min	130 mm
Da max.	136,5 mm
db max.	105 mm
Db min.	140 mm
ra max.	2 mm
Sa	6 mm
Sb	8 mm
Weight	1,83 Kg
Basic dynamic load rating (C)	171 kN
Basic static load rating (C0)	280 kN
(Grease) Lubrication Speed	2 300 r/min



Bearing de Mexico, S.A.

(Oil) Lubrication Speed	3 100 r/min
Calculation factor (e)	0,44
Calculation factor (Y0)	0,75
d1	121 mm
rs min	2 mm
r1s min	1.5 mm
e	0.44
Y2	1.36
Y0	0.75
Mass	1.83 kg
ISO 355 reference	T4CC095
Dynamic load, C	171 kN
Rating life coefficient, A2	1
Static load, C0	280 kN
Fatigue limit load, Cu	32.3 kN
Nlim (oil)	3,100 rpm
Nlim (grease)	2,300 rpm
Min operating temperature, Tmin	-40 ° C
Max operating temperature, Tmax	120 ° C
Characteristic cage frequency, FTF	0.45 Hz
Characteristic rolling element frequency, BSF	10.07 Hz
Characteristic outer ring frequency, BPF0	13.13 Hz
Characteristic inner ring frequency, BPF1	15.87 Hz
da max	105 mm
db min	105 mm
Da max	136.5 mm
Db min	140 mm
Ca min	6 mm



Bearing de Mexico, S.A.

Cb min	8 mm
ra max	2 mm
r1a max	1.5 mm
Category	Bearings
Inventory	0.0
Manufacturer Name	NTN
Minimum Buy Quantity	N/A
Weight / Kilogram	0
EAN	4547359528350
Product Group	B04334