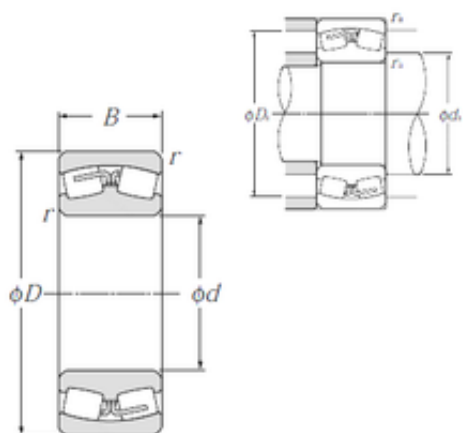




Bearing de Mexico, S.A.

230/1000B NTN Spherical Roller Bearings



Bearing No. 230/1000B

Size	1000x1420x308 mm
Bore Diameter	1000 mm
Outer Diameter	1420 mm
Width	308 mm
d	1000 mm
D	1 420 mm
B	308 mm
C	308 mm
r min.	7,5 mm
da min.	1 036 mm
Da max.	1 384 mm
ra max.	6 mm
Weight	1 580 Kg
Basic dynamic load rating (C)	12 400 kN
Basic static load rating (C0)	30 000 kN
(Grease) Lubrication Speed	170 r/min
(Oil) Lubrication Speed	220 r/min
Calculation factor (e)	0,2
Calculation factor (Y0)	3,29
Calculation factor (Y1)	3,37

230/1000B Bearing 2D drawings and 3D CAD models